

# V6220 manual

Surface Mount.

+ve VDC

Chassis Ground

Flash pattern select and

synchronisation

Alternate flash

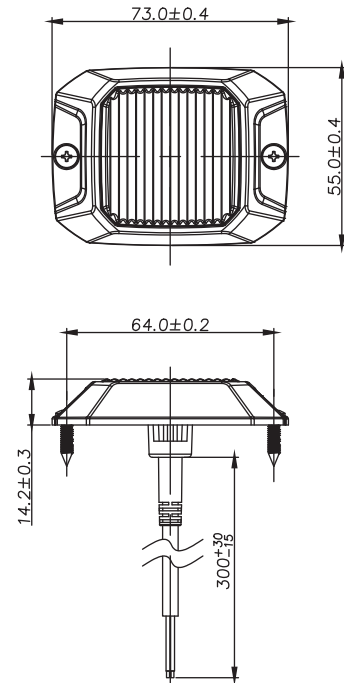
- Red

- Black

- Green

- White

| Pattern | Flash Mode                              | Rate   |
|---------|-----------------------------------------|--------|
| 1       | Single Flash,ECE R65 Class 2 (by day)   | 125FPM |
| 2       | Single Flash,ECE R65 Class 1 (by night) | 125FPM |
| 3       | Single Flash, California Title 13       | 75FPM  |
| 4       | Double Flash                            | 125FPM |
| 5       | Triple Flash                            | 125FPM |
| 6       | Quadruple Flash                         | 125FPM |
| 7       | Quintuple Flash                         | 125FPM |
| 8       | Combination Single/Double Flash         | —      |
| 9       | Combination Single/Triple Flash         | —      |
| 10      | Combination Single/Quintuple Flash      | —      |
| 11      | Strobe                                  | 600FPM |
| 12      | Cruise(30% brightness by Day)           | —      |



# LUMARY