

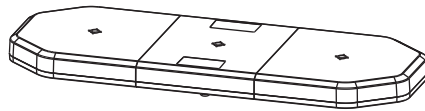
OPERATION INSTRUCTION

LED LIGHTBAR

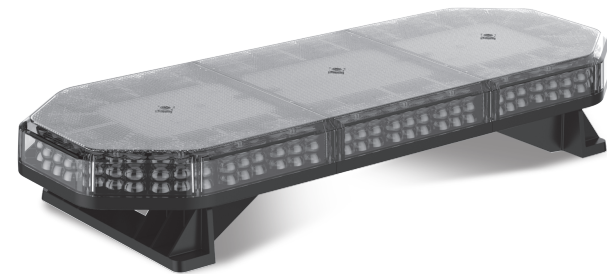
V7096 / V7118

The Lightbars are versatile and powerful warning devices suitable for a range of vehicle types and duties. There are numerous options and lengths available and the lightbars can either be mounted permanently to the vehicle or mounted using an optional roof mounting kit.

The 7301 Series is suitable for many vehicle applications and features reflective LED modules, a durable aluminum chassis and polycarbonate lenses. Available in 19 Flash pattern, the 7301 Series can be configured with different flashing warning modules including alternate single shot, double flash, combination1, offering a choice of either 30", 38", 47" or 55" module. The LED flash colors including amber, blue, red, white and any dual color combinations, providing a full 360 degree of bright scene lighting.



LED LIGHTBAR



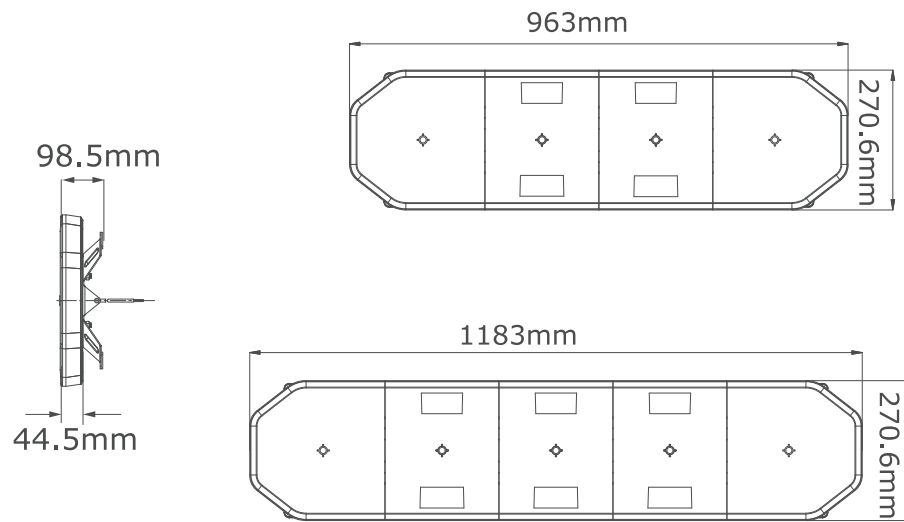
ECE R65 R10 SAE



IMPORTANT!

Read all instructions before installing and using. Installer: This manual must be delivered to the end user. This manual assumes installation by a suitably qualified Automotive Technician.

Product Size



Product Parameter

Model	V7096	V7118
Type	Warning Lightbar	
LED Color	Amber/ Blue/ Red/ White	
Voltage	10-30V	
Max Power	90W	108W
LEDs	90pcs	108pcs
Flash Pattern	19	
Optics	TIR	
Mounting	Bracket mount	

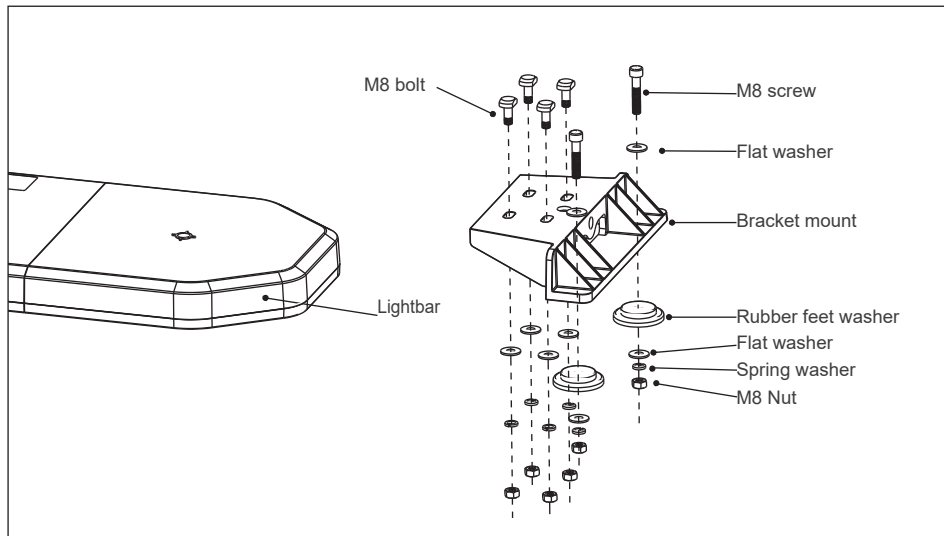
Flash Patterns

Sequence	Description	FPM
1	Single flash	150
2	Slow single flash	70
3	Double flash	154
4	Quad flash	86
5	Strobe flash	1013
6	Slow alternating single flash	30
7	Alternate single flash	70
8	Alternate flash	217
9	Alternate double flash	150
10	Slow alternating double flash	107
11	Fast alternate quad flash	90
12	Alternate quad flash	70
13	Left to right running	223
14	Rigth to left running	223
15	Running from middle to both side	200
16	Running from both side to middle	200
17	Combination : Left to right running ,Rigth to left running ;	
18	Combination : 3* single flash , 3* alternate quad flash	
19	Combination : Single flash, running from both side to middle	

Permanent Mounting- mounting bracket

NOTES:

1. Larger wires and tight connections will provide longer service life for components. For high current wires it is highly recommended that terminal blocks or soldered connections be used with shrink tubing to protect the connections. Do not use insulation displacement connectors.
2. Route wiring using grommets and sealant when passing through compartment walls. Minimize the number of splices to reduce voltage drop. High ambient temperatures (e.g., under-hood) will significantly reduce the current carrying capacity of wires, fuses, and circuit breakers.
3. Particular attention should be paid to the location and method of making electrical connections and splices to protect these points from corrosion and loss of conductivity.
4. Ground termination should only be made to substantial chassis components, preferably directly to the vehicle battery.
5. Circuit breakers are very sensitive to high temperatures and will “false trip” when mounted in hot environments or operated close to their capacity.



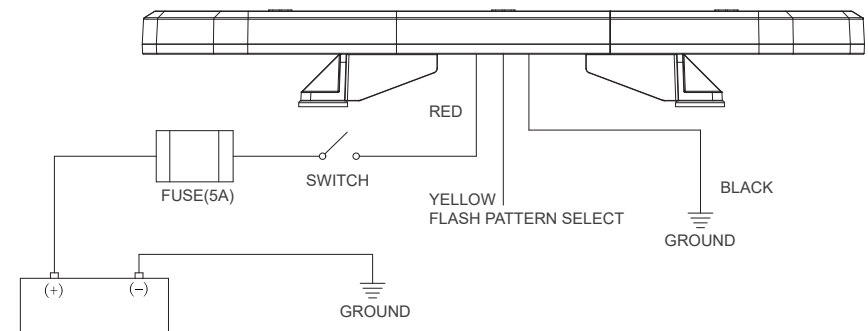
Wiring Instructions:

1. Route wires from the vehicle positive (battery, alternator, fuse block) to the switch panel in the cab. Use suitable high-temperature vehicle wire if it passes through the engine compartment. Install a suitable fuse as close to the point of tapped power as possible. For each circuit use a fuse according to the insert sheet.
2. Connect the wires to the positive side of the additional control switch panel with quick-connect terminals or by soldering.
3. After the light bar has been mounted, route the wiring harness into the vehicle to the switch panel location.
4. Connect the wires of the light bar wiring harness to the switched side of each switch. See the insert sheet for wire colour / function legend.
5. Connect the light bar cable Black wire to a solid ground connection on the vehicle (ideally, directly to the battery negative terminal).
6. Use cable ties and grommets to secure and protect all cables and wires.

IMPORTANT!



This unit is a safety device and it must be connected to its own separate, fused power point to assure its continued operation should any other electrical accessory fail. Do not wire in parallel with any other accessory. Disconnect the battery before wiring up the light bar, to prevent accidental shorting, arcing and/or electrical shock.



Manufacturer Limited Warranty and Limitation of Liability:

Manufacturer warrants that on the date of purchase this product will conform to Manufacturer's specifications for this product (which are available from the Manufacturer upon request), and Manufacturer further warrants that this product is free from defects in materials and workmanship. This Limited Warranty extends for twenty-four (24) months from the date of purchase. Other warranties may apply, call Manufacturer for details. Manufacturer will, at its discretion, repair or replace any product found by the Manufacturer to be defective and subject to this Limited Warranty.

DAMAGE TO PARTS OR PRODUCTS RESULTING FROM TAMPERING, ACCIDENT, ABUSE, MISUSE, NEGLIGENCE, UNAPPROVED MODIFICATIONS, FIRE OR OTHER HAZARD; IMPROPER INSTALLATION OR OPERATION; OR NOT BEING MAINTAINED IN ACCORDANCE WITH THE MAINTENANCE PROCEDURES SET FORTH IN MANUFACTURER'S INSTALLATION AND OPERATING INSTRUCTIONS VOIDS THIS LIMITED WARRANTY.

ORAL STATEMENTS OR REPRESENTATIONS ABOUT THE PRODUCT WHICH MAY HAVE BEEN MADE BY SALESPEOPLE, DEALERS, AGENTS OR OTHER MANUFACTURER'S REPRESENTATIVES DO NOT CONSTITUTE WARRANTIES. THIS LIMITED WARRANTY MAY NOT BE AMENDED, MODIFIED, OR ENLARGED EXCEPT BY A WRITTEN AGREEMENT SIGNED BY AN AUTHORIZED OFFICIAL OF MANUFACTURER WHICH EXPRESSLY REFERS TO THIS LIMITED WARRANTY.

Exclusion of Other Warranties:

Manufacturer makes no other warranties, express or implied. the implied warranties for merchantability or fitness for a particular purpose are hereby excluded and shall not apply to the product. buyer's sole and exclusive remedy in contract, tort, or under any other theory against manufacturer regarding the product and its use shall be the replacement or repair of the product as described above.

Limitation of Liability:

In the event of liability for damages arising out of this limited warranty or any other claim related to the manufacturer's products, manufacturer's liability for damages shall be limited to the amount paid for the product at the time of the original purchase. in no event shall manufacturer be liable for lost profits, the cost of substitute equipment or labor, property damage, or other special, consequential, or incidental damages based upon any claim for breach of contract, improper installation, negligence, or other claim, even if manufacturer or a manufacturer's representative has been advised of the possibility of such damages. manufacturer shall have no further obligation or liability with respect to the product or its sale, operation and use, and manufacturer neither assumes nor authorizes the assumption of any other obligation or liability in connection with such product.