

**FT-323 LED** (rear position light, STOP, indicator)  
**FT-324 LED** (rear running light, fog light, reversing light)

3-functional LED rear lamps

**Power consumption:**

**FT-323 LED**

- rear position light: 12V/24V = 0.34A/0.17A
- STOP light: 12V/24V = 0.27A/0.14A
- indicator: 12V/24V = 0.31A/0.17A

**FT-324 LED**

- rear position light: 12V/24V = 0.31A/0.16A
- fog light: 12V/24V = 0.23A/0.13A
- reversing light: 12V/24V = 0.19A/0.11A

**Power consumption / Rated power:**

**FT-323 LED**

- rear position light: 12V/24V = 4.1W/4.9W
- STOP light: 12V/24V = 3.3W/4.1W
- indicator: 12V/24V = 3.8W/4.8W

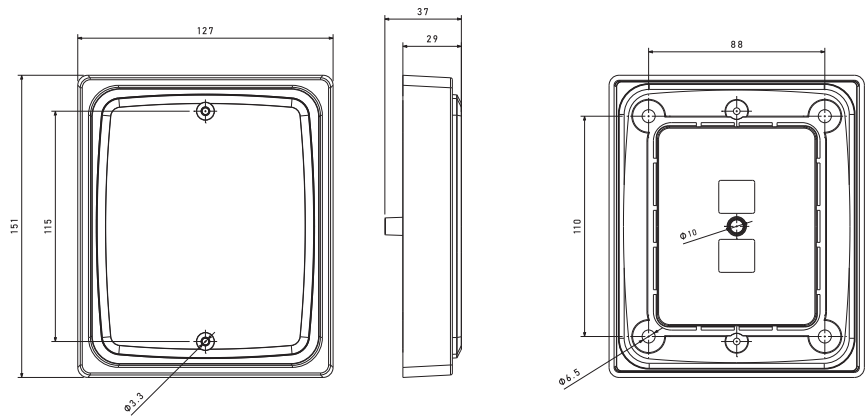
**FT-324 LED**

- rear position light: 12V/24V = 3.8W/4.6W
- fog light: 12V/24V = 2.9W/3.6W
- reversing light: 12V/24V = 2.3W/3.1W

**Vertical / horizontal approval**



*The FT-323 LED has an additional wire (blue) that allows the creation of a dynamic turn signal when connecting up to 4 lamps together. When using the static variant or a single lamp, the blue wire should not be connected anywhere and must be insulated — it is not needed.*



<b>FT-323 LED</b>	Universal LED 3-functional rear lamp, REAR POSITION / STOP / INDICATOR LIGHTS, 12/30V, rectangular, recessed lamp, cable 1m.
<b>FT-323 LED FR1</b>	Universal LED 3-functional rear lamp, REAR POSITION / STOP / INDICATOR LIGHTS, 12/30V, rectangular with mounting frame, cable 1m.
<b>FT-324 LED</b>	Universal LED 3-functional rear lamp, REAR POSITION / REVERSING / FOG LIGHTS, 12/30V, round recessed lamp, cable 1m.
<b>FT-324 LED FR1</b>	Universal LED 3-functional rear lamp, REAR POSITION / REVERSING / FOG LIGHTS, 12/30V, rectangular with mounting frame, cable 1m.
<b>FT-323/324 FR1</b>	Single frame for FT-323 LED and FT-324 LED lamps.
<b>FT-323/324 FR2</b>	Double frame for FT-323 LED and FT-324 LED lamps.